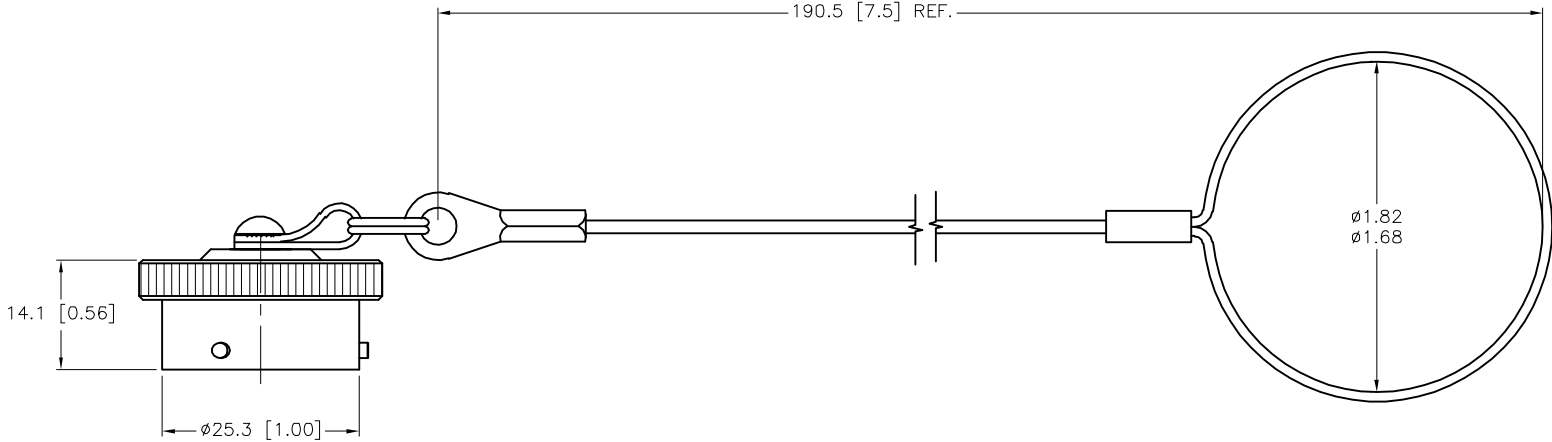

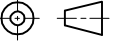


SPECIFICATIONS	
CAP MATERIAL/FINISH	ALUMINUM ALLOY/OLIVE DRAB PLATING
CABLE AND EYELET MATERIAL	SST



SOURCE DRAWING - FOR REFERENCE ONLY

NOTES:  
1. ALL DIMENSIONS ARE REFERENCE.

RELATED DOCUMENTS		3RD ANGLE PROJECTION		THIS DRAWING IS CONFIDENTIAL AND THE PROPERTY OF TURCK INC. USE OF THIS DOCUMENT WITHOUT WRITTEN PERMISSION IS PROHIBITED.		 3000 CAMPUS DRIVE MINNEAPOLIS, MN 55441 1-800-544-7769 (763) 553-7300 (763) 553-0708 fax www.turck.us	
1. 2. 3. 4.				DRFT RDS	DATE 06/16/14	DESCRIPTION MS 3116-16-CC	
MATERIAL SEE SPECIFICATIONS		ALL DIMENSIONS DISPLAYED ON THIS DRAWING ARE FOR REFERENCE ONLY		APVD J.B.	SCALE 1=1.0	IDENTIFICATION NO. U2-20026 (SOURCE)	
FINISH SEE SPECIFICATIONS		CONTACT TURCK FOR MORE INFORMATION		UNIT OF MEASUREMENT <b>MILLIMETER [ INCH ]</b>		REV B	
B UPDATED DRAWING		AS	05/31/23	500000008308		DO NOT SCALE THIS DRAWING	
REV	DESCRIPTION	BY	DATE	ECO NO.		FILE: U2-20026	SHEET 1 OF 1